



Big Block Accessory Drive Package Specifications

Package Part Number 19417728 - with Air Conditioning

Package Part Number 19417729 - without Air Conditioning

Thank you for choosing Chevrolet Performance as your high performance source. Chevrolet Performance is committed to providing proven, innovative performance technology that is truly... more than just power. Chevrolet Performance parts are engineered, developed and tested by the factory to exceed your expectations for fit and function. To contact us call 1-800-577-6888 for the Chevrolet Performance Authorized Center nearest you or visit our website at www.chevroletperformance.com.

This publication provides general information on the installation of a Chevrolet Performance serpentine belt accessory drive package (serpentine belt package). Please read this entire publication before starting work. Also, please verify that all of the components listed below are, in fact, included in the kit.

The information below is divided into the following sections: Package contents, Component information, Installation instructions, and Additional parts that you may need to be purchased.

The serpentine belt packages come in two configurations. One is for applications with air conditioning, and the other is for applications without air conditioning. Both packages incorporate modern technology in a package that can be installed on most big block Chevy engines. The serpentine belt packages include all the necessary brackets and hardware, pulleys, tensioner, alternator, power steering pump, water pump and belt. Also included is either the A/C compressor or an idler pulley, depending on which package was ordered. Both packages are assembled using brand new, premium quality components.

This package is designed to provide you a complete serpentine belt accessory drive package. This skit is based on the accessory drive system from tuned port injection (TPI) engines of the early 1990's. It uses factory engineered brackets and components to ensure high quality as well as the GM belt tensioner to maintain proper belt tension during operation.

These specifications are intended as a supplement to Factory service manuals. It is not the intent of these specifications to replace the comprehensive and detailed service practices explained in the Factory service manuals. Factory service manuals are available from:

Helm Incorporated
PO Box 07130
Detroit, MI 48207

Observe all safety precautions and warnings in the service manuals when installing this package in any vehicle. Wear eye protection and appropriate protective clothing. Support the vehicle securely with jackstands when working under or around it. Use only the proper tools. Exercise extreme caution when working with flammable, corrosive, and hazardous liquids and materials. Some procedures require special equipment and skills. If you do not have the appropriate training, expertise, and tools to perform any part of this conversion safely, this work should be done by a professional.

The information contained in this publication is presented without any warranty. All the risk for its use is entirely assumed by the user. Specific component design, mechanical procedures, and the qualifications of individual readers are beyond the control of the publisher, and therefore the publisher disclaims all liability incurred in connection with the use of the information provided in this publication.

Chevrolet, the Chevrolet Bow Tie Emblem, General Motors, and GM are all registered trademarks of the General Motors Corporation. Chevy is a trademark of the General Motors Corporation.



PERFORMANCE

Package Contents:

<u>Item</u>	<u>Description</u>	<u>Quantity</u>	<u>GM Part Number</u>
1	Specifications	1	19417730
2	Cast Bracket, A/C	1	10187612
3	Stamped Bracket, A/C	1	10187613
4	A/C Compressor (Package 19366895 only)	1	88964862
4	Pulley, Idler (less A/C) (Package 19366896 only)	1	10055890 (includes bolt - M10-1.5x65, P/N 11516109)
5	Belt Tensioner	1	12552359
6	Pulley, Idler	1	10129560
7	Bolt - 7/16-14 x 4.25	1	9442911
8	Bolt - M10-1.5 x 146	1	11518034
9	Bolt - M10-1.5 x 105	3	15991067
10	Bolt - M10-1.5 x 30	1	11516328
11	Stud - 7/16-14 x 4.85	2	10224224
12	Nut - 7/16-14	2	3930109
13	Nut - M10-1.5	2	11517996
14	Bolt - 3/8-16 x 4.25	3	10244168
15	Cast Bracket, Alternator and Power Steering	1	10187610
16	Stamped Bracket, Alternator and Power Steering	1	10187611 (must be modified for tall deck)
17	Bracket, Power Steering Support	1	88961892 (used for tall deck only)
18	Bolt - M8-1.25 x 20	1	11570082 (used for tall deck only)
19	Alternator, 105 Amp	1	19152476
20	Power Steering Pump	1	19319858
21	Power Steering Pulley	1	12605677
22	Bolt - M10-1.5 x 65	3	11516109
23	Bolt - M10-1.5 x 35	3	11515767
24	Bolt - M8-1.25 x 35	1	11571223
25	Bolt - M8-1.25 x 20	4	11570082
26	Bolt - 3/8-16 x 3/4	5	9439905
27	Water Pump Kit	1	19168601 (includes water pump, gaskets, and plug)
	Water Pump Bolt (3/8-16x2.38)	4	9440982
28	Pulley, Water Pump and Fan	1	19367392
29	Water Outlet Snout	1	10108470
30	Water Outlet Gasket	1	10105135
31	Hose	1	1485552 (cut to length)
32	Clamp, Hose	2	11610236
33	Brass Nipple	2	6272959
34	Bolt - M8-1.25 x 12	4	11515754
35	Pulley, Crankshaft	1	19245468
36	Bolt - 3/8-24 x 5/8	3	9440226 (for use with Fluidampr)
37	Belt - 2550 EL	1	88986813 (regular deck)
38	Belt - 2580 EL	1	88986828 (tall deck)
39	Cap, Power Steering Pump Reservoir	1	26095243

Component Information:

Air Conditioning Compressor:

This kit includes an R4 radial compressor. This compressor is R134A compatible.

Alternator:

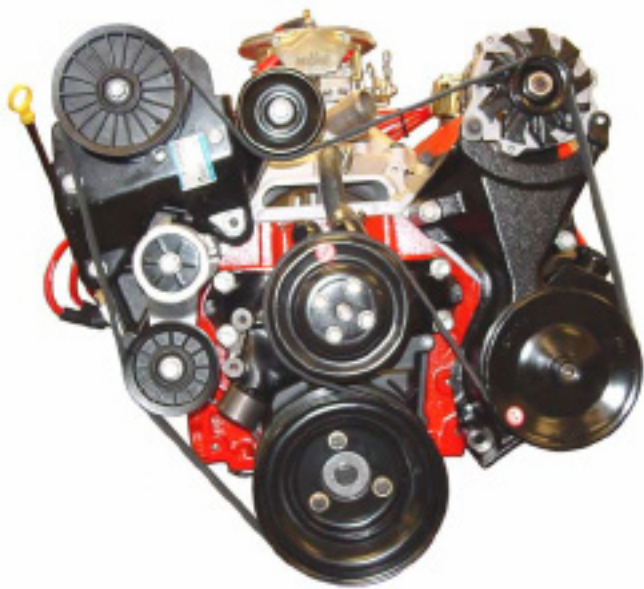
Included with this package is a Delphi Delcotron, CS 130 series generator assembly, part number 19152476, ACDelco part number 321-1035. It is a 105 amp, remanufactured unit.

Water Pump:

The water pump included in this package, part number 12560471, is a reverse rotation, cast iron water pump with long mounting legs.

Installation Procedure:

The figure below shows the accessory drive package installed on a typical big block application. Refer to this picture for clarification during the installation of the various components included in this package.



Water Pump, Pulley and Crankshaft Pulley, and Water Outlet Snout:

1. Install the water pump, part number 12560471, and gaskets, part number 3860039, on the front of the engine using the four bolts, part number 9440982, to retain the pump. Torque these bolts to 40 N·m (30 lb.ft.)
2. Install the plug, part number 10240403, into the left most heater hose nipple hole on the water pump using the appropriate pipe sealer.

3. Install the brass nipples, part number 6272959, into the second heater hose nipple hole on the water pump and also the heater hose nipple hole located on the front of the intake manifold, again using the appropriate pipe sealer.
4. Measure the hose length required between the above installed nipples and cut to length the hose, part number 1485552. Install hose onto nipples securing with the hose clamps, part number 11610236.
5. Attach crankshaft pulley, part number 19245468, to crankshaft balancer using the three crankshaft pulley bolts, part number 9439905 (or Fluidampr applications = 9440226) and torque to 58 N·m (43 lb.ft.).
6. Attach the water pump pulley, part number 19367392, to the water pump using the four water pump pulley bolts, part number 11515754, and torque to 50 N·m (37 lb.ft.).
7. Attach water outlet snout, part number 10108470, to manifold utilizing supplied gasket, part number 10105135, reuse original bolts. Torque to 30 N·m (22 lb.ft.).

Air Conditioning Compressor, Bracket and Brace (for applications with A/C):

1. Install stud, part number 10224224, into the inboard hole in the front of the right hand side cylinder head.
2. Attach the cast A/C bracket, part number 10186712, to the engine. Orient the bracket as shown in the illustration.
3. Install the bolt, part number 9442911, into the lower, outboard hole in the front of the right hand side cylinder head and torque to 30 N·m (22 lb.ft.).
4. Attach A/C compressor, part number 88964862, and brace, part number 10187613, to above mounted cast A/C bracket using three bolts, part number 15991067, by first inserting bolts through brace then compressor. Torque these bolts to 50 N·m (37 lb.ft.).
5. Attach nut, part number 3930109, onto stud from Step 1. Torque to 30 N·m (22 lb.ft.).
6. Install the bolt, part number 10244168, through the lower left hole of the brace and into upper, outboard hole in the front of the right hand side cylinder head. Torque to 30 N·m (22 lb.ft.).
7. Install the bolt, part number 11516328, through the middle left hole of the brace and into the bracket. Torque to 30 N·m (22 lb.ft.).
8. Insert the bolt, part number 11518034, first through the brace then the cast A/C bracket, then attach the nut, part number 11517996, to the back side. Torque to 30 N·m (22 lb.ft.).

A/C Idler Pulley, Bracket and Brace (for applications without A/C):

1. Install stud, part number 10244224, into the inboard hole in the front of the right hand side cylinder head.
2. Attach the cast A/C bracket, part number 10186712, to the engine. Orient the bracket as shown in the illustration.
3. Install the bolt, part number 9442911, into the lower, outboard hole in the front of the right hand side cylinder head. Torque to 30 N·m (22 lb.ft.).
4. Remove the pulley from the A/C idler pulley assembly by removing the pulley retaining bolt. This step is necessary to provide clearance for insertion of the mounting bolts.
5. Attach A/C idler pulley assembly, part number 10055890, to the cast A/C bracket using the bolt, part number 11516109. Insert through the threaded center mounting hole of the A/C idler and into the upper, center threaded hole of the cast A/C bracket. Align remaining idler mounting holes with upper threaded bracket holes. Torque this bolt to 50 N·m (37 lb.ft.).
6. Attach brace, part number 10187613, to above mounted cast A/C bracket using two bolts, part number 11514189, by first inserting bolts through the upper outside two holes in the brace, then through the two remaining mounting holes in the A/C idler pulley and finally into the upper two threaded holes in the cast A/C bracket. Torque these bolts to 50 N·m (37 lb.ft.).
7. Attach nut, part number, 3930109, onto stud from Step 1. Torque to 30 N·m (22 lb.ft.).
8. Install the bolt, part number 10244168, through the lower left hole of the brace and into upper, outboard hole in the front of the right hand side cylinder head. Torque to 30 N·m (22 lb.ft.).
9. Install the bolt, part number 11516328, through the middle left hole of the brace and into the bracket. Torque to 30 N·m (22 lb.ft.).
10. Insert the bolt, part number 11518034, first through the brace then the cast A/C bracket. Then attach the nut, part number 11517996, to the back side. Torque to 30 N·m (22 lb.ft.).
11. Reinstall A/C idler pulley from Step 4. Torque bolt to 50 N·m (37 lb.ft.).

Alternator, Power Steering Pump, and Brackets (for normal deck height applications):

1. For the following step the power steering pump pulley must be removed. Be sure to use the appropriate removal tool to avoid damage to the pump shaft and/or pulley.

2. Attach the power steering pump, part number 19319858, to the cast alternator and power steering bracket, part number 10187610. Orient the pump as shown in the assembly illustration.
3. Install the three bolts, part number 11515767, through the bracket and into the pump. Torque these bolts to 50 N·m (37 lb.ft.).
4. Attach the alternator, part number 19152476, to the cast alternator and power steering bracket, part number 10187610. Orient the pump as shown in the assembly illustration.
5. Install bolt, part number 24572579, through the upper left hole in the cast bracket and into the alternator. Torque to 30 N·m (22 lb.ft.).
6. Install bolt, part number 11516109, through the alternator and into the upper right hole in the cast bracket. Torque to 50 N·m (37 lb.ft.).
7. Attach stamped alternator and power steering bracket, part number 10187611, to the back side of the alternator, power steering pump and cast bracket as shown in the illustration below.
8. Install four bolts, part number 11570082, through the holes in the stamped bracket and into the alternator and cast bracket. Torque these bolts to 30 N·m (22 lb.ft.).
9. Install nut, part number 11570082, onto the stud on the back of the power steering pump. Torque to 30 N·m (22 lb.ft.).
10. Install stud, part number 10224224, into the threaded hole in the lower corner of the block below the left hand side cylinder head.
11. Install the above constructed alternator, power steering bracket assembly onto the stud from Step 9. Refer to the assembly illustration for proper orientation.



12. Install the two bolts, part number 10244168, through the cast bracket and into the inboard and upper outboard holes in the front of the left hand side cylinder head. Torque these bolts to 50 N·m (37 lb.ft.).

13. Attach nut, part number 3930109, onto stud from Step 9. Torque to 30 N·m (22 lb.ft.).
14. Install bolt, part number 9439905, through the hole in the arm of the stamped bracket into the side of the block. Torque to 50 N·m (37 lb.ft.).
15. Install pulley, part number 12605677, onto power steering pump shaft. Be sure to use the appropriate installatin tool to avoid damage to the pump shaft and/or pulley.

Alternator, Power Steering Pump, and Brackets (for tall deck applications):

The figure below illustrates the modification to the alternator and power steering stamped bracket, part number 10187611. This modification is necessary to tall deck applications only.



1. For the following step, the power steering pump pulley must be removed. Be sure to use the appropriate removal tool to avoid damage to the pump shaft and/or pulley.
2. Attach the power steering pump, part number 19319858, to the cast alternator and power steering bracket, part number 10187610. Orient the pump as shown in the assembly illustration.
3. Install the three bolts, part number 11515767, through the bracket and into the pump. Torque these bolts to 50 N·m (37 lb.ft.).
4. Attach the alternator, part number 19152476, to the cast alternator and power steering bracket, part number 10187610. Orient the pump as shown in the assembly illustration.

5. Install bolt, part number 11571223, through the upper left hole in the cast bracket and into the alternator. Torque to 30 N·m (22 lb.ft.).
6. Install bolt, part number 11516109, through the alternator and into the upper right hole in the cast bracket. Torque to 50 N·m (37 lb.ft.).
7. Attach stamped alternator and power steering bracket, part number 10187611, to the back side of the alternator, power steering pump and cast bracket as shown in the illustration below.



8. Attach the power steering support bracket, part number 88961892, to the back side of the stamped bracket. Refer to the illustration above for proper orientation.
9. Install bolt, part number 11570082, through the lower hole power steering support bracket and stamped bracket and, finally, into the cast bracket. Torque to 30 N·m (22 lb.ft.).
10. Install three bolts, part number 11570082, through the three remaining holes in the stamped bracket and into the alternator and cast bracket. Torque these bolts to 30 N·m (22 lb.ft.).
11. Install nut, part number 11517996, onto the stud located on the rear of the power steering pump. Torque to 30 N·m (22 lb.ft.).
12. Install the above constructed alternator, power steering bracket assembly onto the left hand side cylinder head. Refer to the assembly illustration for proper orientation.
13. Install the two bolts, part number 10244168, through the cast bracket and into the inboard and upper outboard holes in the front of the left hand side cylinder head. Torque these bolts to 50 N·m (37 lb.ft.)
14. Install two bolts, part number 9439905, through the holes in the arms of the power steering support bracket into the side of the block. Torque these bolts to 50 N·m (37 lb.ft.).
15. Install pulley, part number 12605677, onto power steering pump shaft. Be sure to use the appropriate installatin tool to avoid damage to the pump shaft and/or pulley.

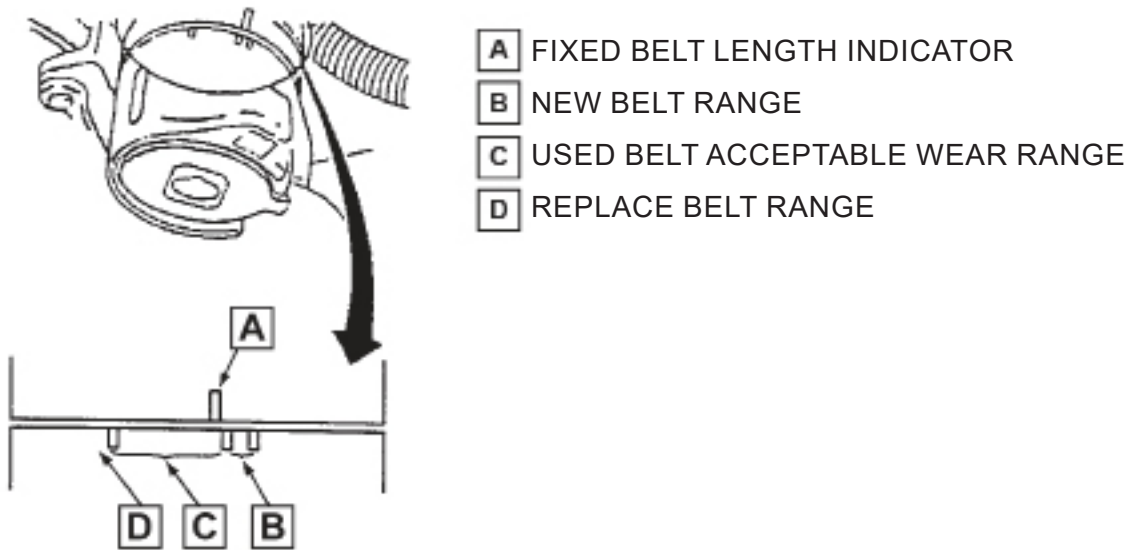
Belt Tensioner and Upper Idler Pulley:

1. Attach the belt tensioner, part number 12552359, to the cast A/C bracket as shown in the assembly illustration.
2. Install bolt, part number 11516109, to retain the tensioner. The belt tensioner is keyed to ensure proper orientation. Torque this bolt to 50 N·m (37 lb.ft.).
3. Install the upper idler pulley, part number 10129560, to the cast A/C bracket as shown in the assembly illustration. Torque included bolt to 50 N·m (37 lb.ft.).

Belt:

1. Install the belt (refer to package contents for appropriate belt and part number). Ensure that the routing of the belt is the same as that shown in the assembly illustration.

The figure below explains the belt length scale on the belt tensioner.



Additional Parts That May Be Needed

Fan Clutch Assembly:

This package utilizes a reverse rotation water pump. As such, if a production fan and clutch assembly are utilized, the parts must be from the same configuration of vehicle.

NOTE: Power steering pump uses a standard size 16mm x 1.5 o-ring hydraulic fitting for the pressure line outlet.

Caractéristiques techniques du groupe d'entraînement des accessoires de moteur à gros bloc

Numéro de pièce du groupe 19417728 – avec climatisation

Numéro de pièce du groupe 19417729 – sans climatisation

Nous vous remercions d'avoir choisi Chevrolet Performance comme source de haute performance. Chevrolet Performance s'est engagée à offrir une technologie de rendement éprouvée et novatrice qui est réellement... beaucoup plus que de la puissance. Les pièces de Chevrolet Performance ont été conçues, élaborées et mises à l'essai à l'usine de manière à dépasser vos attentes de réglage précis et de fonction. Pour joindre le Centre autorisé de Chevrolet Performance, composer le 1-800-577-6888 ou visiter notre site Web au www.chevroletperformance.com.

Cette publication fournit des informations générales sur la pose d'un groupe courroie multifonction d'entraînement des accessoires de Chevrolet Performance (groupe courroie multifonction). Veuillez lire en entier la présente publication avant de commencer à travailler. De plus, veuillez vérifier que tous les composants nommés ci-dessous sont inclus dans l'ensemble.

Les renseignements ci-dessous sont divisés dans les sections suivantes : contenu du groupe, renseignements sur les composants, instructions de pose et pièces supplémentaires qu'il sera peut-être nécessaire d'acheter.

Les groupes courroie multifonction sont offerts en deux configurations. Une des configurations convient aux applications avec climatiseur et l'autre convient aux applications sans climatiseur. Les deux groupes intègrent une technologie moderne et peuvent être posés sur la plupart des moteurs à gros bloc Chevrolet. Les groupes courroie multifonction comprennent toute la quincaillerie et tous les supports, poulies, tendeur, alternateur, pompe à servodirection, pompe à eau et courroie nécessaires. Les groupes incluent également une poulie de compresseur de climatiseur ou une poulie tendeur, selon le groupe commandé. Les deux groupes sont assemblés avec des composants neufs de première qualité.

Il s'agit d'un ensemble complet offrant un groupe courroie multifonction d'entraînement des accessoires. Ce nécessaire est basé sur le système d'entraînement des accessoires provenant des moteurs à injection TPI du début des années 1990. Il utilise des supports et des composants conçus en usine, qui garantissent une qualité supérieure, et un tendeur de courroie GM qui maintient la bonne tension de fonctionnement.

Ces caractéristiques techniques constituent un supplément aux manuels d'entretien d'usine. Ces caractéristiques techniques ne sont pas destinées à remplacer les pratiques d'entretien complètes et détaillées expliquées dans les manuels de réparation d'usine. Les manuels de réparation d'usine sont offerts par :

Helm Incorporated
C.P. 07130
Détroit (MI) 48207

Observer toutes les précautions et tous les avertissements en matière de sécurité présentés dans le Manuel d'entretien au moment d'installer ce groupe dans n'importe quel véhicule. Porter un protecteur pour la vue et des vêtements de protection appropriés. Soutenir fermement le véhicule avec des chandelles au moment de travailler sous le véhicule ou autour de celui-ci. Utiliser seulement les outils appropriés. Faire preuve d'extrême prudence lorsqu'on travaille avec des liquides ou des matériaux inflammables, corrosifs ou dangereux. Certaines procédures nécessitent l'utilisation d'un équipement spécial et des habiletés particulières. Si vous ne possédez pas la formation, l'expertise et les outils nécessaires pour effectuer toute partie de cette conversion en toute sécurité, ce travail devrait être réalisé par un professionnel.

Les renseignements contenus dans cette publication sont présentés sans aucune garantie. Tout risque encouru pendant l'utilisation de cette publication est entièrement assumé par l'utilisateur. La conception de composant spécial, les procédures mécaniques et les qualifications de chaque lecteur sont hors du contrôle de l'éditeur et c'est pourquoi il décline toute responsabilité afférente en lien avec l'utilisation des renseignements fournis dans cette publication.

Chevrolet, l'emblème Chevrolet, General Motors et GM sont des marques déposées de General Motors. Chevy est une marque de commerce de General Motors Corporation.

**Contenu de l'ensemble :**

<u>Article</u>	<u>Description</u>	<u>Quantité</u>	<u>Numéro de pièce GM</u>
1	Spécifications	1	19417730
2	Support moulé, climatiseur	1	10187612
3	Support embouti, climatiseur	1	10187613
4	Compresseur de climatiseur (groupe 19366895 seulement)	1	88964862
4	Poulie tendeur (sans climatiseur) (groupe 19366896 seulement)	1	10055890 (inclut le boulon - M10-1,5x65, N/P (11516109))
5	Tendeur de courroie	1	12552359
6	Poulie tendeur	1	10129560
7	Boulon - 7/16-14 x 4,25	1	9442911
8	Boulon M10-1,5 x 146	1	11518034
9	Boulon M10-1,5 x 105	3	15991067
10	Boulon M10-1,5 x 30	1	11516328
11	Goujon - 7/16-14 x 4,85	2	10224224
12	Écrou 7/16-14	2	3930109
13	Écrou - M10-1,5	2	11517996
14	Boulon - 3/8-16 x 4,25	3	10244168
15	Support moulé, alternateur et servodirection	1	10187610
16	Support embouti, alternateur et servodirection	1	10187611 (doit être modifié pour les longs plateaux)
17	Support de fixation, servodirection	1	88961892 (pour long plateau seulement)
18	Boulon - M8-1,25 x 20	1	11570082 (pour long plateau seulement)
19	Alternateur, 105 A	1	19152476
20	Pompe de servodirection	1	19319858
21	Poulie de servodirection	1	12605677
22	Boulon M10-1,5 x 65	3	11516109
23	Boulon M10-1,5 x 35	3	11515767
24	Boulon M8-1,25 x 35	1	11571223
25	Boulon M8-1,25 x 20	4	11570082
26	Boulon - 3/8-16 x 3/4	5	9439905
27	Nécessaire de pompe à eau	1	19168601 (inclut la pompe à eau, les joints et le bouchon)
	Boulon de pompe à eau (3/8-16x2,38)	4	9440982
28	Poulie, pompe à eau et ventilateur	1	19367392
29	Bec de sortie d'eau	1	10108470
30	Joint de sortie d'eau	1	10105135
31	Flexible	1	1485552 (couper à la bonne longueur)
32	Collier de serrage, flexible	2	11610236
33	Raccord en laiton	2	6272959
34	Boulon M8-1,25 x 12	4	11515754
35	Poulie, vilebrequin	1	19245468
36	Boulon - 3/8-24 x 5/8	3	9440226 (utilisé avec amortisseur de vibrations Fluidampr)
37	Courroie - 2550 EL	1	88986813 (plateau régulier)
38	Courroie - 2580 EL	1	88986828 (long plateau)
39	Capuchon, réservoir de pompe de direction assistée	1	26095243

Renseignements sur les composants :
Compresseur de climatiseur :

Ce nécessaire comprend un compresseur radial R4.
Ce compresseur est compatible au fluide R134A.

Alternateur :

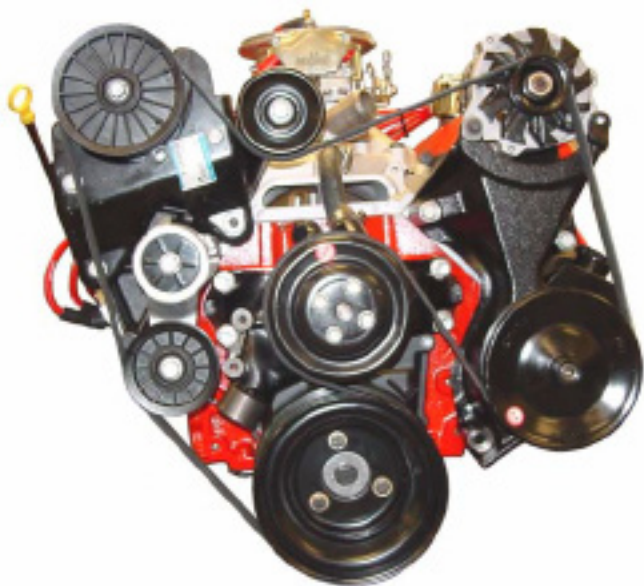
Ce groupe comprend un ensemble alternateur de la série CS 130 Delphi Delcotron, numéro de pièce 19152476, numéro de pièce ACDelco 321-1035. Il s'agit d'un alternateur 105 A réusiné.

Pompe à eau :

La pompe à eau incluse dans ce groupe, numéro de pièce 12560471, est une pompe à eau en fonte à rotation inverse avec des longues pattes de montage.

Procédure d'installation:

La figure ci-dessous montre l'ensemble d'entraînement des accessoires posé sur une application à gros bloc normale. Se reporter à cette photo pour faciliter la pose des différents composants inclus dans l'ensemble.


Pompe à eau, poulie et poulie de vilebrequin et bec de sortie d'eau :

1. Poser la pompe à eau (numéro de pièce 12560471) et les joints (numéro de pièce 3860039) à l'avant du moteur avec les quatre boulons (numéro de pièce 9440982). Serrer ces boulons à 40 Nm (30 lb-pi).
2. Poser le bouchon (numéro de pièce 10240403) dans le trou du raccord de flexible de chauffage le plus à gauche sur la pompe à eau en utilisant le bon produit d'étanchéité de tuyau.
3. Poser les raccords en laiton (numéro de pièces 6272959) dans le deuxième trou de raccord de flexible de chauffage sur la pompe à eau et également sur le trou de raccord

de flexible de chauffage situé à l'avant de la tubulure d'admission en utilisant également le bon produit d'étanchéité de tuyau.

4. Mesurer la longueur de flexible requise entre les raccords posés et couper le flexible (numéro de pièce 1485552) à la bonne longueur. Poser le flexible sur les raccords en le fixant avec les colliers de serrage de flexible (numéro de pièce 11610236).
5. Fixer la poulie de vilebrequin (numéro de pièce 19245468) sur l'amortisseur de vibrations de vilebrequin au moyen des trois boulons de poulie de vilebrequin (numéro de pièce 9439905) (pour les applications Fluidampr, utiliser 9440226) et serrer le boulon à 58 Nm (43 lb-pi).
6. Fixer la poulie de pompe à eau (numéro de pièce 19367392) sur la pompe à eau en utilisant les quatre boulons de poulie de pompe à eau (numéro de pièce 11515754) et serrer les boulons à 50 Nm (37 lb-pi).
7. Fixer le bec de sortie d'eau (numéro de pièce 10108470) à la tubulure avec le joint fourni (numéro de pièce 10105135); réutiliser les boulons d'origine. Serrer le boulon à 30 Nm (22 lb-pi).

Compresseur de climatiseur, support et renfort (pour les applications avec climatiseur) :

1. Poser le goujon (numéro de pièce 10224224) dans le trou intérieur à l'avant de la culasse droite.
2. Fixer le support moulé de climatiseur (numéro de pièce 10186712) sur le moteur. Orienter le support de la façon indiquée dans l'illustration.
3. Poser le boulon (numéro de pièce 9442911) dans le trou extérieur inférieur à l'avant de la culasse droite et serrer le boulon à 30 Nm (22 lb-pi).
4. Fixer le compresseur de climatiseur (numéro de pièce 88964862) et le renfort (numéro de pièce 10187613) au support moulé de climatiseur ci-dessus avec les trois boulons (numéro de pièce 15991067) en insérant d'abord les boulons dans le renfort puis dans le compresseur. Serrer ces boulons à 50 Nm (37 lb-pi).
5. Fixer l'écrou (numéro de pièce 3930109) sur le goujon de l'étape 1. Serrer l'écrou à 30 Nm (22 lb-pi).
6. Poser le boulon (numéro de pièce 10244168) dans le trou inférieur gauche du renfort et dans le trou extérieur supérieur à l'avant de la culasse droite. Serrer le boulon à 30 Nm (22 lb-pi).
7. Poser le boulon (numéro de pièce 11516328) dans le trou gauche central du renfort puis dans le support. Serrer le boulon à 30 Nm (22 lb-pi).
8. Poser le boulon (numéro de pièce 11518034) en l'insérant d'abord dans le renfort puis dans le support moulé de climatiseur. Fixer ensuite l'écrou (numéro de pièce 11517996) au côté arrière. Serrer le boulon à 30 Nm (22 lb-pi).

Poulie tendeur de climatiseur, support et renfort (pour les applications sans climatiseur) :

1. Poser le goujon (numéro de pièce 10244224) dans le trou intérieur à l'avant de la culasse droite.
2. Fixer le support moulé de climatiseur (numéro de pièce 10186712) sur le moteur. Orienter le support de la façon indiquée dans l'illustration.
3. Poser le boulon (numéro de pièce 9442911) dans le trou extérieur inférieur à l'avant de la culasse droite. Serrer le boulon à 30 Nm (22 lb-pi).
4. Déposer la poulie de l'ensemble poulie tendeur de climatiseur en retirant le boulon de fixation de la poulie. Cette étape est nécessaire afin de procurer le dégagement pour l'insertion des boulons de fixation.
5. Fixer l'ensemble poulie tendeur de climatiseur (numéro de pièce 10055890) au support moulé de climatiseur avec le boulon (numéro de pièce 11516109). Insérer le boulon dans le trou de montage central fileté de la poulie tendeur de climatiseur, puis dans le trou fileté central supérieur du support moulé de climatiseur. Aligner les autres trous de montage de la poulie tendeur avec les trous filetés supérieurs du support. Serrer ce boulon à 50 Nm (37 lb-pi).
6. Fixer le renfort (numéro de pièce 10187613) au support moulé de climatiseur ci-dessus avec les deux boulons (numéro de pièce 11514189) en insérant d'abord les boulons dans les deux trous supérieurs extérieurs du renfort, puis dans les deux trous de montage restants de la poulie tendeur de climatiseur, et finalement dans les deux trous filetés supérieurs du support moulé de climatiseur. Serrer ces boulons à 50 Nm (37 lb-pi).
7. Fixer l'écrou (numéro de pièce 3930109) sur le goujon de l'étape 1. Serrer l'écrou à 30 Nm (22 lb-pi).
8. Poser le boulon (numéro de pièce 10244168) dans le trou inférieur gauche du renfort et dans le trou extérieur supérieur à l'avant de la culasse droite. Serrer le boulon à 30 Nm (22 lb-pi).
9. Poser le boulon (numéro de pièce 11516328) dans le trou gauche central du renfort puis dans le support. Serrer le boulon à 30 Nm (22 lb-pi).
10. Insérer d'abord le boulon (numéro de pièce 11518034) dans le renfort, puis dans le support moulé de climatiseur. Fixer ensuite l'écrou (numéro de pièce 11517996) au côté arrière. Serrer le boulon à 30 Nm (22 lb-pi).
11. Reposer la poulie tendeur de climatiseur de l'étape 4. Serrer le boulon à 50 Nm (37 lb-pi).

Alternateur, pompe de servodirection et supports (pour les applications à plateau à hauteur normale) :

1. Il faut déposer la poulie de pompe de servodirection pour l'étape suivante. S'assurer d'utiliser l'outil de dépose

approprié pour éviter d'endommager la poulie ou l'arbre de la pompe.

2. Fixer la pompe de servodirection (numéro de pièce 19319858) au support moulé d'alternateur et de servodirection (numéro de pièce 10187610). Orienter la pompe de la façon indiquée sur l'illustration d'assemblage.
3. Poser les trois boulons (numéro de pièce 11515767) en les insérant dans le renfort, puis dans la pompe. Serrer ces boulons à 50 Nm (37 lb-pi).
4. Fixer l'alternateur (numéro de pièce 19152476) au support moulé d'alternateur et de servodirection (numéro de pièce 10187610). Orienter la pompe de la façon indiquée sur l'illustration d'assemblage.
5. Poser le boulon (numéro de pièce 11571223) en l'insérant dans le trou supérieur gauche du support moulé puis dans l'alternateur. Serrer le boulon à 30 Nm (22 lb-pi).
6. Poser le boulon (numéro de pièce 11516109) dans l'alternateur et dans le trou supérieur droit du support moulé. Serrer le boulon à 50 Nm (37 lb-pi).
7. Fixer le support embouti d'alternateur et de servodirection (numéro de pièce 10187611) au côté arrière de l'alternateur, de la pompe de servodirection et du support moulé, de la façon indiquée dans l'illustration ci-dessous.
8. Poser les quatre boulons (numéro de pièce 11570082) dans les trous du support embouti puis dans l'alternateur et dans le support moulé. Serrer ces boulons à 30 Nm (22 lb-pi).
9. Poser l'écrou (numéro de pièce 11570082) sur le goujon situé à l'arrière de la pompe de servodirection. Serrer le boulon à 30 Nm (22 lb-pi).
10. Poser le goujon (numéro de pièce 10224224) dans le trou fileté du coin inférieur du bloc, sous la culasse gauche.
11. Poser l'ensemble support d'alternateur et de servodirection sur le goujon de l'étape 9. Se reporter à l'illustration d'assemblage pour la bonne orientation.



12. Poser les deux boulons (numéro de pièce 10244168) dans le support moulé, puis dans les trous intérieur et extérieur supérieur à l'avant de la culasse gauche. Serrer ces boulons à 50 Nm (37 lb-pi).

13. Fixer l'écrou (numéro de pièce 3930109) sur le goujon de l'étape 9. Serrer l'écrou à 30 Nm (22 lb-pi).
14. Poser le boulon (numéro de pièce 9439905) dans le trou du bras du support embouti sur le côté du bloc. Serrer le boulon à 50 Nm (37 lb-pi).
15. Poser la poulie (numéro de pièce 12605677) sur l'arbre de la pompe de servodirection. S'assurer d'utiliser l'outil de pose approprié pour éviter d'endommager la poulie ou l'arbre de la pompe.

Alternateur, pompe de servodirection et supports (pour les applications à long plateau) :

La figure ci-dessous illustre la modification du support embouti d'alternateur et de servodirection (numéro de pièce 10187611). Cette modification est nécessaire uniquement pour les applications à long plateau.



1. Il faut déposer la poulie de pompe de servodirection pour l'étape suivante. S'assurer d'utiliser l'outil de dépose approprié pour éviter d'endommager la poulie ou l'arbre de la pompe.
2. Fixer la pompe de servodirection (numéro de pièce 19319858) au support moulé d'alternateur et de servodirection (numéro de pièce 10187610). Orienter la pompe de la façon indiquée sur l'illustration d'assemblage.
3. Poser les trois boulons (numéro de pièce 11515767) en les insérant dans le renfort, puis dans la pompe. Serrer ces boulons à 50 Nm (37 lb-pi).
4. Fixer l'alternateur (numéro de pièce 19152476) au support moulé d'alternateur et de servodirection (numéro de pièce 10187610). Orienter la pompe de la façon indiquée sur l'illustration d'assemblage.

5. Poser le boulon (numéro de pièce 11571223) en l'insérant dans le trou supérieur gauche du support moulé puis dans l'alternateur. Serrer le boulon à 30 Nm (22 lb-pi).
6. Poser le boulon (numéro de pièce 11516109) dans l'alternateur et dans le trou supérieur droit du support moulé. Serrer le boulon à 50 Nm (37 lb-pi).
7. Fixer le support embouti d'alternateur et de servodirection (numéro de pièce 10187611) au côté arrière de l'alternateur, de la pompe de servodirection et du support moulé, de la façon indiquée dans l'illustration ci-dessous.



8. Fixer le support de servodirection (numéro de pièce 88961892) au côté arrière du support embouti. Se reporter à l'illustration ci-dessus pour la bonne orientation.
9. Poser le boulon (numéro de pièce 11570082) en insérant dans le trou inférieur du support de servodirection et dans le support embouti, puis dans le support moulé. Serrer le boulon à 30 Nm (22 lb-pi).
10. Poser les trois boulons (numéro de pièce 11570082) dans les trois trous restants du support embouti puis dans l'alternateur et dans le support moulé. Serrer ces boulons à 30 Nm (22 lb-pi).
11. Poser l'écrou (numéro de pièce 11517996) sur le goujon situé à l'arrière de la pompe de servodirection. Serrer le boulon à 30 Nm (22 lb-pi).
12. Poser l'ensemble support d'alternateur et de servodirection ci-dessus sur la culasse gauche. Se reporter à l'illustration d'assemblage pour la bonne orientation.
13. Poser les deux boulons (numéro de pièce 10244168) dans le support moulé, puis dans les trous intérieur et extérieur supérieur à l'avant de la culasse gauche. Serrer ces boulons à 50 Nm (37 lb-pi).
14. Poser les deux boulons (numéro de pièce 9439905) dans les trous des bras du support de servodirection sur le côté du bloc. Serrer ces boulons à 50 Nm (37 lb-pi).
15. Poser la poulie (numéro de pièce 12605677) sur l'arbre de la pompe de servodirection. S'assurer d'utiliser l'outil de pose approprié pour éviter d'endommager la poulie ou l'arbre de la pompe.

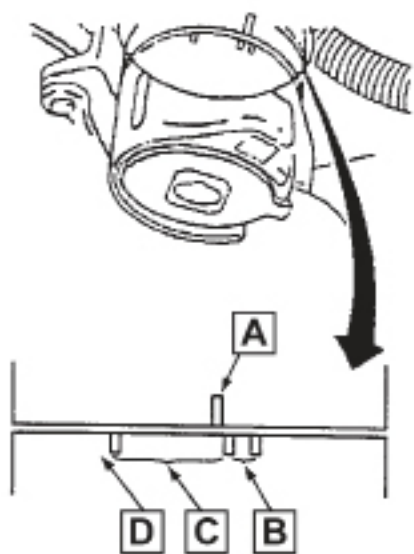
Tendeur de poulie et poulie tendeur supérieure :

1. Fixer le tendeur de poulie (numéro de pièce 12552359) au support moulé de climatiseur, de la façon indiquée dans l'illustration d'assemblage.
2. Poser le boulon (numéro de pièce 11516109) pour fixer le tendeur. Le tendeur de poulie est claveté pour assurer la bonne orientation. Serrer ce boulon à 50 Nm (37 lb-pi).
3. Poser la poulie tendeur supérieure (numéro de pièce 10129560) au support moulé de climatiseur, de la façon indiquée dans l'illustration d'assemblage. Serrer le boulon fourni à 50 Nm (37 lb-pi).

Courroie :

1. Poser la courroie (se reporter au contenu du groupe pour connaître la bonne courroie et le bon numéro de pièce). S'assurer que l'acheminement de la courroie est le même que celui indiqué dans l'illustration d'assemblage.

La figure ci-dessous explique l'échelle de longueur de courroie sur le tendeur de courroie.



- A** INDICATEUR DE LONGUEUR DE COURROIE FIXE
- B** PLAGE DE COURROIE NEUVE
- C** PLAGE D'USURE ACCEPTABLE DE COURROIE USAGÉE
- D** PLAGE DE REMPLACEMENT DE COURROIE

Pièces supplémentaires pouvant être requises
Ensemble embrayage de ventilateur :

Ce groupe utilise une pompe à eau à rotation inverse. Ainsi, si on utilise un ensemble embrayage et ventilateur de production, les pièces doivent correspondre à la configuration du véhicule.

REMARQUE : La pompe de servodirection utilise un raccord hydraulique à joint torique de dimension standard 16 mm x 1,5 pour la sortie de la canalisation de pression.



Especificaciones de paquete de transmisión auxiliar de bloque grande

Número de parte de paquete 19417728 - con Aire acondicionado

Número de parte de paquete 19417729 - sin Aire acondicionado

Gracias por elegir Chevrolet Performance como su fuente de alto desempeño. Chevrolet Performance está comprometido a proporcionar tecnología de desempeño comprobada e innovadora que en realidad... es más que sólo potencia. Las partes de Chevrolet Performance están diseñadas, desarrolladas y probadas en fábrica para exceder sus expectativas de ajuste y función. Para ponerse en contacto con nosotros llame al 1-800-577-6888 respecto al Centro Autorizado de Chevrolet Performance más cercano o visite nuestra página en Internet en www.chevroletperformanceparts.com.

Esta publicación proporciona información general sobre la instalación de un paquete de transmisión auxiliar de banda serpentina de Chevrolet Performance (paquete de banda serpentina). Por favor lea esta publicación completa antes de comenzar el trabajo. Además, por favor verifique que todos los componentes indicados a continuación estén, en realidad, incluidos en el juego.

La siguiente información está dividida en las siguientes secciones: Contenido de paquete, Información de componentes, Instrucciones de instalación, y Partes adicionales que puede necesitar comprar.

Los paquetes de banda serpentina vienen en dos configuraciones. Una es para aplicaciones con aire acondicionado, y la otra es para aplicaciones sin aire acondicionado. Ambos paquetes incorporan tecnología moderna en un paquete que se puede instalar en la mayoría de los motores Chevy de bloque grande. Los paquetes de banda serpentina incluyen todos los soportes, y hardware, poleas, tensor, alternador, bomba de dirección hidráulica, bomba de agua y banda necesarios. También se incluye el compresor de aire acondicionado (A/C) o una polea intermedia, dependiendo del paquete que se ordene. Ambos paquetes se ensamblan con componentes de calidad premium completamente nuevos.

Este paquete está diseñado para proveer un paquete de transmisión auxiliar de banda serpentina completo. Este juego está basado en el sistema de transmisión auxiliar de motores de inyección de puerto afinado (TPI) de principios de la década de 1990. Utiliza soportes y componentes diseñados en fábrica para asegurar la alta calidad así como el tensor de banda GM para mantener la tensión adecuada de la banda durante la operación.

Se pretende que estas especificaciones sean un complemento para los manuales de servicio de Fábrica. No se pretende que estas especificaciones reemplacen las prácticas de servicio completas y detalladas explicadas en los manuales de servicio de Fábrica. Los manuales de servicio de fábrica están disponibles en:

Helm Incorporated
PO Box 07130
Detroit, MI 48207

Observe todas las precauciones de seguridad y advertencias de los manuales de servicio durante la instalación de este paquete en cualquier vehículo. Utilice protección para los ojos y ropa de protección adecuada. Soporte el vehículo firmemente con los gatos hidráulicos cuando trabaje bajo o alrededor de éste. Sólo use las herramientas adecuadas. Tenga mucha precaución cuando trabaje con líquidos y materiales inflamables, corrosivos y peligrosos. Algunos procedimientos requieren equipo y habilidades especiales. Si no tiene la capacitación, experiencia, y herramientas apropiadas para realizar cualquier parte de esta conversión con seguridad, este trabajo debe ser realizado por un profesional.

La información contenida en esta publicación se presenta sin ninguna garantía. El usuario asume completamente todo el riesgo por su uso. El diseño de componentes específicos, los procedimientos mecánicos, y las calificaciones de los lectores están más allá del control del editor, y por lo tanto el editor declina cualquier responsabilidad incurrida en conexión con el uso de la información provista en esta publicación.

Chevrolet, el Emblema de Corbatín Chevrolet, General Motors, y GM son marcas comerciales registradas de General Motors Corporation. Chevy es una marca comercial de General Motors Corporation.

**Contenido del paquete:**

<u>Partida</u>	<u>Descripción</u>	<u>Cantidad</u>	<u>Número de parte GM</u>
1	Especificaciones	1	19417730
2	Soporte fundido, aire acondicionado (A/C)	1	10187612
3	Soporte estampado, aire acondicionado (A/C)	1	10187613
4	Compresor de aire acondicionado (A/C) (Sólo paquete 19366895)	1	88964862
4	Polea, intermedia (sin A/C) (Sólo paquete 19366896)	1	10055890 (incluye perno - M10-1.5x65, No. de parte 11516109)
5	Tensor de banda	1	12552359
6	Polea, Intermedia	1	10129560
7	Tornillo - 7/16-14 x 4.25	1	9442911
8	Perno - M10-1.5 x 146	1	11518034
9	Perno - M10-1.5 x 105	3	15991067
10	Perno - M10-1.5 x 30	1	11516328
11	Perno - 7/16-14 x 4.85	2	10224224
12	Tuerca - 7/16-14	2	3930109
13	Tuerca - M10-1.5	2	11517996
14	Tornillo - 3/8-16 x 4.25	3	10244168
15	Soporte fundido, Alternador y dirección hidráulica	1	10187610
16	Soporte estampado, Alternador y dirección hidráulica	1	10187611 (se debe modificar para plataforma alta)
17	Soporte, Soporte de dirección hidráulica	1	88961892 (sólo se usa para plataforma alta)
18	Perno - M8-1.25 x 20	1	11570082 (sólo se usa para plataforma alta)
19	Alternador, 105 Amp	1	19152476
20	Bomba de dirección hidráulica	1	19319858
21	Polea de dirección hidráulica	1	12605677
22	Perno - M10-1.5 x 65	3	11516109
23	Perno - M10-1.5 x 35	3	11515767
24	Perno - M8-1.25 x 35	1	11571223
25	Perno - M8-1.25 x 20	4	11570082
26	Tornillo - 3/8-16 x 3/4	5	9439905
27	Juego de bomba de agua Perno de bomba de agua (3/8-16x2.38)	1 4	19168601 (incluye bomba de agua, empaques, y tapón) 9440982
28	Polea, Bomba de agua y ventilador	1	19367392
29	Chapa de salida de agua	1	10108470
30	Empaque de salida de agua	1	10105135
31	Manguera	1	1485552 (cortar a la longitud)
32	Abrazadera, Manguera	2	11610236
33	Niple de latón	2	6272959
34	Perno - M8-1.25 x 12	4	11515754
35	Polea, Cigüeñal	1	19245468
36	Perno - 3/8-24 x 5/8	3	9440226 (para uso con Fluidampr)
37	Banda - 2550 EL	1	88986813 (plataformas regulares)
38	Banda - 2580 EL	1	88986828 (plataforma alta)
39	Capuchón, depósito de la bomba de dirección asistida	1	26095243

Información sobre los componentes:
Compresor de aire acondicionado:

Este juego incluye un compresor radial R4. Este compresor es compatible con R134A.

Alternador:

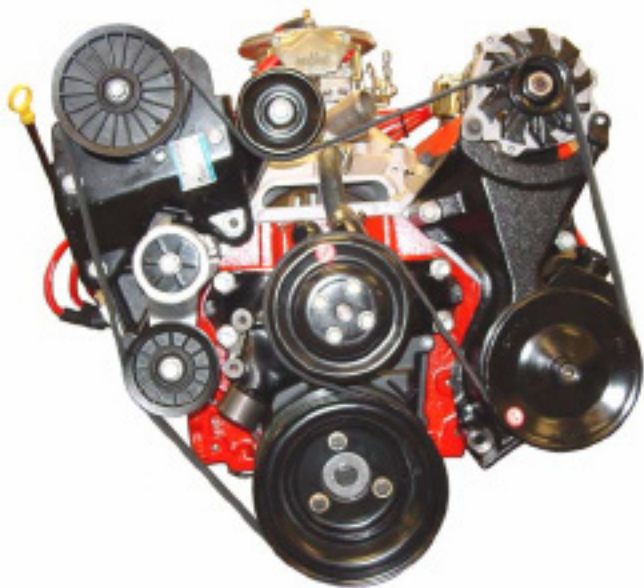
Con este paquete se incluye un ensamble de generador Delphi Delcotron, serie CS 130, número de parte 19152476, No. de parte ACDelco 321-1035. Ésta es una unidad refabricada de 105 amp.

Bomba de agua:

La bomba de agua incluida en este paquete, No. de parte 12560471, es una bomba de agua de hierro fundido de rotación inversa con patas de montaje largas.

Procedimiento de instalación:

La siguiente figura muestra el paquete de transmisión auxiliar instalado en una aplicación típica de bloque grande. Consulte esta ilustración respecto a aclaraciones durante la instalación de los varios componentes incluidos en este paquete.


Bomba de agua, polea, polea de cigüeñal, y chapa de salida de agua:

1. Instale la bomba de agua, No. de parte 12560471, y los empaques, No. de parte 3860039, sobre la parte delantera del motor usando los cuatro pernos, No. de parte 9440982, para retener la bomba. Apriete estos pernos a 40 N·m (30 lbs pie).

2. Instale el tapón, No. de parte 10240403, dentro de orificio del niple de la manguera del calentador que está más a la izquierda sobre la bomba de agua con el sellador de tubo apropiado.
3. Instale los niples de latón, No. de parte 6272959, en el segundo orificio del niple de la manguera del calentador en la bomba de agua y también el orificio del niple de la manguera del calentador en el frente del múltiple de admisión, usando de nuevo el sellador de tubo apropiado.
4. Mida la longitud de manguera requerida entre los niples instalados anteriormente y corte la manguera a esta longitud, No. de parte 1485552. Instale la manguera sobre los niples asegurando con abrazaderas de manguera, No. de parte 11610236.
5. Conecte la polea de cigüeñal, No. de parte 19245468, al balanceador del cigüeñal con tres pernos de polea de cigüeñal, No. de parte 9439905 (o aplicaciones Fluidamp = 9440226) y apriete a 58 N·m (43 lbs pie).
6. Conecte la polea de la bomba de agua, No. de parte 19367392, a la bomba de agua con cuatro pernos de polea de la bomba de agua, No. de parte 11515754, y apriete a 50 N·m (37 lbs pie).
7. Conecte la chapa de salida de agua, No. de parte 10108470, al múltiple usando el empaque, No. de parte 10105135, vuelva a utilizar los pernos originales. Apriete a 30 N·m (22 lbs pie).

Compresor, soporte y puntal de aire acondicionado (para aplicaciones con A/C):

1. Instale el perno, No. de parte 10224224, dentro del orificio interno en el lado delantero de la culata de cilindro del lado derecho.
2. Conecte el soporte de aire acondicionado (A/C) fundido, No. de parte 10186712, al motor. Oriente el soporte como se muestra en la ilustración.
3. Instale el perno, No. de parte 9442911, dentro del orificio inferior externo al frente de la culata de cilindro derecha y apriete a 30 N·m (22 lbs pie).
4. Conecte el compresor de aire acondicionado (A/C), No. de parte 88964862, y el puntal, No. de parte 10187613, al soporte de A/C fundido montado anteriormente con tres pernos, No. de parte 15991067, insertando primero los pernos a través del puntal y después el compresor. Apriete estos pernos a 50 N·m (37 lbs pie).
5. Conecte la tuerca, No. de parte 3930109, sobre el perno del Paso 1. Apriete a 30 N·m (22 lbs pie).
6. Instale el perno, No. de parte 10244168, a través del orificio inferior izquierdo del puntal y dentro del orificio superior externo al frente de la culata de cilindro derecha. Apriete a 30 N·m (22 lbs pie).



- 7. Instale el perno, No. de parte 11516328, a través del orificio medio izquierdo del puntal y dentro del soporte. Apriete a 30 N·m (22 lbs pie).
- 8. Inserte el perno, No. de parte 11518034, primero a través del puntal y después el soporte de aire acondicionado (A/C) fundido, después conecte la tuerca, No. de parte 11517996, al lado posterior. Apriete a 30 N·m (22 lbs pie).

Polea intermedia, soporte y puntal de aire acondicionado (para aplicaciones sin A/C):

- 1. Instale el perno, No. de parte 10244224, dentro del orificio interno en el lado delantero de la culata de cilindro del lado derecho.
- 2. Conecte el soporte de aire acondicionado (A/C) fundido, No. de parte 10186712, al motor. Oriente el soporte como se muestra en la ilustración.
- 3. Instale el perno, No. de parte 9442911, dentro del orificio inferior externo en el lado delantero de la culata de cilindro del lado derecho. Apriete a 30 N·m (22 lbs pie).
- 4. Retire la polea del ensamble de la polea intermedia del aire acondicionado (A/C) retirando el perno de retención de la polea. Este paso es necesario para proporcionar espacio para inserción de los pernos de montaje.
- 5. Sujete el ensamble de la polea intermedia de aire acondicionado (A/C), No. de parte 10055890, al soporte de A/C con el perno, No. de parte 11516109. Inserte a través del orificio de montaje central roscado de la banda intermedia de A/C y dentro del orificio superior central del soporte de A/C fundido. Alinee los orificios de montaje de la banda intermedia con los orificios roscados del soporte. Apriete este perno a 50 N·m (37 lbs pie).
- 6. Sujete el puntal, No. de parte 10187613, al soporte de aire acondicionado (A/C) fundido instalado anteriormente con dos pernos, No. de parte 11514189, insertando los pernos a través de los dos orificios superiores externos en el puntal, después a través de los dos orificios de montaje restantes en la polea intermedia de A/C y finalmente en los dos orificios roscados superiores en el soporte fundido de A/C. Apriete estos pernos a 50 N·m (37 lbs pie).
- 7. Conecte la tuerca, No. de parte 3930109, sobre el perno del Paso 1. Apriete a 30 N·m (22 lbs pie).
- 8. Instale el perno, No. de parte 10244168, a través del orificio inferior izquierdo del puntal y dentro del orificio superior externo al frente de la culata de cilindro derecha. Apriete a 30 N·m (22 lbs pie).
- 9. Instale el perno, No. de parte 11516328, a través del orificio medio izquierdo del puntal y dentro del soporte. Apriete a 30 N·m (22 lbs pie).

- 10. Inserte el perno, No. de parte 11518034, primero a través del puntal y después el soporte de aire acondicionado (A/C) fundido. Después conecte la tuerca, No. de parte 11517996, a la parte posterior. Apriete a 30 N·m (22 lbs pie).
- 11. Vuelva a instalar la polea intermedia de aire acondicionado (A/C) del Paso 4. Apriete el perno a 50 N·m (37 lbs pie).

Alternador, bomba de dirección hidráulica, y soportes (para aplicaciones de altura de plataforma normal):

- 1. Para el siguiente paso se debe retirar la polea de la bomba de dirección hidráulica. Asegúrese de usar la herramienta de desinstalación apropiada para evitar daño al eje y/o bomba de la polea.
- 2. Sujete la bomba de dirección hidráulica, No. de parte 19319858, al alternador fundido y soporte de dirección hidráulica, No. de parte 10187610. Oriente la bomba como se muestra en la ilustración de ensamble.
- 3. Instale los tres pernos, No. de parte 11515767, a través del soporte y dentro de la bomba. Apriete estos pernos a 50 N·m (37 lbs pie).
- 4. Sujete el alternador, No. de parte 19152476, al alternador fundido y soporte de dirección hidráulica, No. de parte 10187610. Oriente la bomba como se muestra en la ilustración de ensamble.
- 5. Instale el perno, No. de parte 24572579, a través del orificio superior izquierdo en el soporte fundido y en el alternador. Apriete a 30 N·m (22 lbs pie).
- 6. Instale el perno, No. de parte 11516109, a través del alternador y dentro del orificio superior derecho en el soporte fundido. Apriete a 50 N·m (37 lbs pie).
- 7. Sujete el alternador estampado y el soporte de la dirección hidráulica, No. de parte 10187611, a la parte posterior del alternador, la bomba de dirección hidráulica y el soporte fundido como se muestra en la siguiente ilustración.
- 8. Instale cuatro pernos, No. de parte 11570082, a través de los orificios en el soporte estampado y dentro del alternador y soporte fundido. Apriete estos pernos a 30 N·m (22 lbs pie).
- 9. Instale la tuerca, No. de parte 11570082, sobre el perno en la parte posterior de la bomba de dirección hidráulica. Apriete a 30 N·m (22 lbs pie).
- 10. Instale el perno, No. de parte 10224224, dentro del orificio roscado en la esquina inferior del bloque debajo de la culata del cilindro del lado izquierdo.
- 11. Instale el ensamble de alternador y soporte de dirección hidráulica construido anteriormente sobre el perno del Paso 9. Consulte la ilustración de ensamble respecto a la orientación adecuada.



12. Instale los dos pernos, No. de parte 10244168, a través del soporte fundido y dentro de los orificios interno y superior externo al frente de la culata de cilindro del lado izquierdo. Apriete estos pernos a 50 N·m (37 lbs pie).
13. Conecte la tuerca, No. de parte 3930109, sobre el perno del Paso 9. Apriete a 30 N·m (22 lbs pie).
14. Instale el perno, No. de parte 9439905, a través del orificio en el brazo del soporte estampado dentro del lado del bloque. Apriete a 50 N·m (37 lbs pie).
15. Instale la polea, No. de parte 12605677, sobre el eje de la bomba de dirección hidráulica. Asegúrese de usar la herramienta de instalación apropiada para evitar daño al eje y/o bomba de la polea.

Alternador, bomba de dirección hidráulica, y soportes (para aplicaciones de plataforma alta):

La siguiente figura ilustra la modificación al soporte estampado del alternador y dirección hidráulica, No. de parte 10187611. Esta modificación es necesaria sólo para aplicaciones de plataforma alta.



1. Para el siguiente paso, se debe retirar la polea de la bomba de dirección hidráulica. Asegúrese de usar la herramienta de desinstalación apropiada para evitar daño al eje y/o bomba de la polea.
2. Sujete la bomba de dirección hidráulica, No. de parte 19319858, al alternador fundido y soporte de dirección hidráulica, No. de parte 10187610. Oriente la bomba como se muestra en la ilustración de ensamble.
3. Instale los tres pernos, No. de parte 11515767, a través del soporte y dentro de la bomba. Apriete estos pernos a 50 N·m (37 lbs pie).
4. Sujete el alternador, No. de parte 19152476, al alternador fundido y soporte de dirección hidráulica, No. de parte 10187610. Oriente la bomba como se muestra en la ilustración de ensamble.
5. Instale el perno, No. de parte 11571223, a través del orificio superior izquierdo en el soporte fundido y en el alternador. Apriete a 30 N·m (22 lbs pie).
6. Instale el perno, No. de parte 11516109, a través del alternador y dentro del orificio superior derecho en el soporte fundido. Apriete a 50 N·m (37 lbs pie).
7. Sujete el alternador estampado y el soporte de la dirección hidráulica, No. de parte 10187611, a la parte posterior del alternador, la bomba de dirección hidráulica y el soporte fundido como se muestra en la siguiente ilustración.



8. Sujete la ménsula de soporte de la dirección hidráulica, No. de parte 88961892, al lado posterior del soporte estampado. Consulte la ilustración anterior respecto a la orientación adecuada.
9. Instale el perno, No. de parte 11570082, a través del orificio inferior de la ménsula de soporte de la dirección hidráulica y el soporte estampado y, finalmente, en el soporte fundido. Apriete a 30 N·m (22 lbs pie).
10. Instale tres pernos, No. de parte 11570082, a través de los tres orificios restantes en el soporte estampado y dentro del alternador y soporte fundido. Apriete estos pernos a 30 N·m (22 lbs pie).
11. Instale la tuerca, No. de parte 11517996, sobre el perno ubicado en la parte posterior de la bomba de dirección hidráulica. Apriete a 30 N·m (22 lbs pie).

12. Instale el ensamble de alternador y soporte de dirección hidráulica construido anteriormente sobre la culata de cilindro del lado izquierdo. Consulte la ilustración del ensamble respecto a la orientación adecuada.
13. Instale los dos pernos, No. de parte 10244168, a través del soporte fundido y dentro de los orificios interno y superior externo al frente de la culata de cilindro del lado izquierdo. Apriete estos pernos a 50 N·m (37 lbs pie).
14. Instale los dos pernos, No. de parte 9439905, a través de los orificios en los brazos de la ménsula del soporte de la dirección hidráulica dentro del lado del bloque. Apriete estos pernos a 50 N·m (37 lbs pie).
15. Instale la polea, No. de parte 12605677, sobre el eje de la bomba de dirección hidráulica. Asegúrese de usar la herramienta de instalación apropiada para evitar daño al eje y/o bomba de la polea.

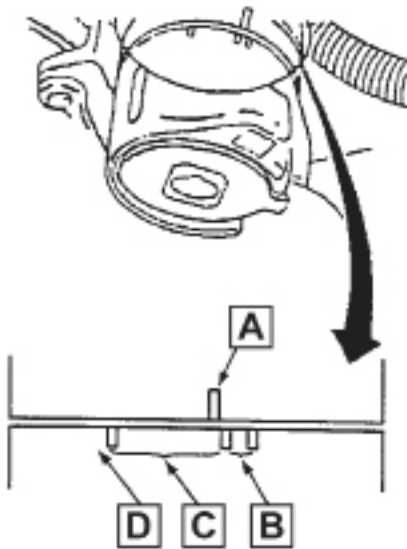
Tensor de banda y polea intermedia superior:

1. Sujete el tensor de la banda, No. de parte 12552359, al soporte fundido del aire acondicionado (A/C) como se muestra en la ilustración del ensamble.
2. Instale el perno, No. de parte 11516109, para retener el tensor. El tensor de banda tiene una cuña para asegurar la orientación adecuada. Apriete este perno a 50 N·m (37 lbs pie).
3. Instale la polea intermedia superior, No. de parte 10129560, al soporte fundido del aire acondicionado (A/C) como se muestra en la ilustración del ensamble. Apriete el perno incluido a 50 N·m (37 lbs pie).

Banda:

1. Instale la banda (consulte el contenido del paquete respecto a la banda y número de parte apropiados). Asegure que la ruta de la banda sea la misma que la que se muestra en la ilustración del ensamble.

La siguiente figura explica la escala de longitud de la banda en el tensor de la banda.



- A** INDICADOR DE LONGITUD DE BANDA FIJA
- B** NUEVO RANGO DE BANDA
- C** RANGO DE DESGASTE ACEPTABLE DE BANDA USADA
- D** RANGO DE BANDA DE REEMPLAZO

Partes adicionales que se pueden necesitar

Ensamble de embrague de ventilador:

Este paquete usa una bomba de agua de rotación inversa. Como tal, si se utiliza el ensamble del ventilador y embrague de producción, las partes deben tener la misma configuración de vehículo.

NOTA: La bomba de dirección hidráulica usa un accesorio hidráulico de anillo O de tamaño estándar de 16mm x 1.5 para la salida de la línea de presión.